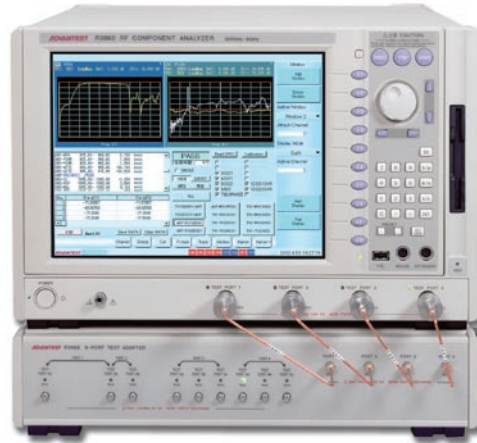


## Raising the Efficiency of Multi-Port Device Development and Production



**R3860+R3968 Component Analyzer +Multi-Port Test Set**

### Overview

With the trend towards integrated W-LAN systems, multi-band cellular phones and use of balanced circuits, high-frequency devices supporting 9, 10, and even 11-ports have become more and more commonplace.

Testing these devices requires not only additional ports be used but a frequency range that is differentiated from one multi-band system to another. This results in a vast number of labor-hours spent in R&D of devices and testing the devices on production lines.

The R3968/3969/3970 series multi-port test sets dramatically increase efficiency when used to test multi-port devices. The new R3968(300 kHz to 8 GHz: 9-ports, 11-ports) has the proven performance of its predecessor.

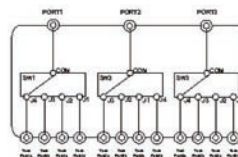
In response to the pursuit of higher frequencies in W-LAN systems, the R3970(300 kHz to 20 GHz) has extended support to up to 16-ports. The different models available in the new series streamline the work of testing multi-band balanced filters and other balanced filters as switch modules of cellular phones.

### Features

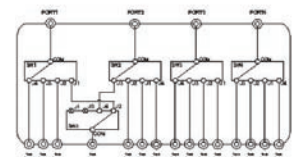
- Measured frequency range: 300 kHz to 8 GHz/  
300 kHz to 20 GHz
- RF connector: SMA (female)
- Maximum input level: +20 dBm, 0 VDC
- Number of test ports: Specified by option
- Measurement parameter setting:  
16 channels individually programmable  
(controlled from the R3768/3770/3860A)

Model	frequency range	Tx isolation ready				isolation not-ready	
		9-port	11-port	12-port	15-port	12-port	16-port
R3968	300kHz-8GHz	opt11	opt14	—	—	—	—
R3969	300kHz-8GHz	—	—	opt17	opt15	opt12	opt16
R3970	300kHz-20GHz	—	—	opt17	opt15	opt12	opt16

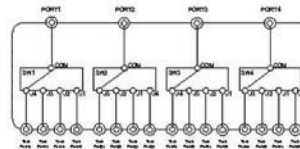
R3968/3970 12-port



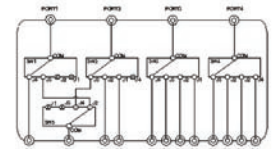
R3968/3970 15-port (Port1 - Port2 Isolation)



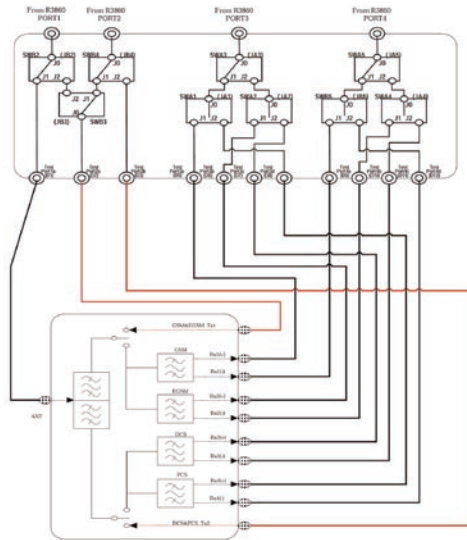
R3968/3970 16-port



R3968/3970 12-port (Port1 - Port2 Isolation)



## Measurement block diagram R3968+14



Example of Tx isolation ready 11-port

## Measurement parameter support software



Please be sure to read the User's Manual thoroughly before using the product.

Technology Support on the Leading Edge  
**ADVANTEST**

Your Local Representative

**ADVANTEST CORPORATION** Shin-Marunouchi Center Building, 1-6-2 Marunouchi, Chiyoda-ku, Tokyo 100-0005, Japan  
 Tel: +81-3-3214-7500 <http://www.advantest.co.jp>

**Korea:** Advantest Korea Co., Ltd.  
**China:** Advantest (Suzhou) Co., Ltd.  
**Taiwan:** Advantest Taiwan Inc.  
**Singapore:** Advantest (Singapore) Pte. Ltd.  
**North America:** Advantest America Inc.  
**Europe:** ROHDE & SCHWARZ Europe GmbH

Phone: +82-2-532-7071  
 Phone: +86-21-6485-2725  
 Phone: +886-3-5532111  
 Phone: +65-6274-3100  
 Phone: +1-732-346-2600  
 Phone: +49-89-4129-13711